

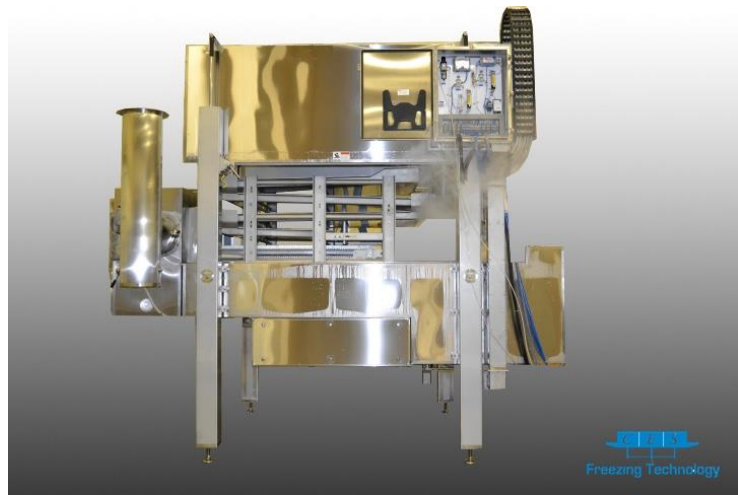
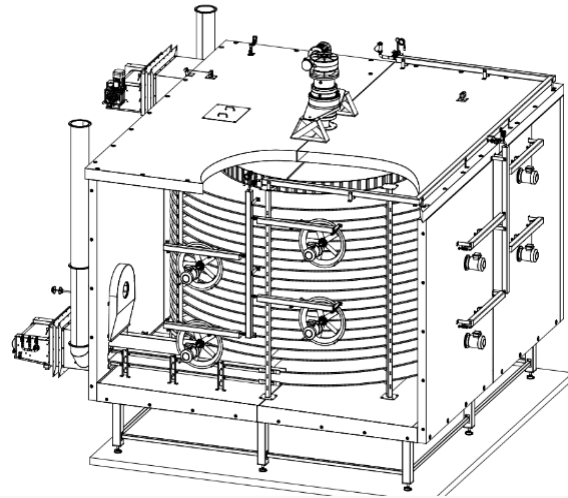


Pre-Owned Equipment

CES has an extensive inventory of quality pre-owned equipment. Unlike other companies CES offers a warranty on our pre-owned equipment. If you have any questions, contact us at sales@cesgroup-us.com

Spiral Freezer

Model: SF-C02-660-16,5xCC140-NR-UP-U
Manufacturer: CES
Cool medium: CO2 & Nitrogen
Year built: 2012
Overall length: 4950 mm / 195 inch
Overall width: 5460 mm / 215 inch
Overall height: 4950 mm / 195 inch
Usable freezing surface: 113 m2 / 1216 sqft
Belt width: 660 mm / 26 inch
Product Clearance: 75mm / 3 inch



Pelletizer Freezer

Model: CES-IMP-LIN-20FTX40IN HOTL
Cool medium: LIN
Year built: 2012
Approx. dimensions: 153in L x 92in W x 109in H
Length of Freezing Zone: Waterfall design, 20ft



MBI Tunnel

Model: MBI
Cool medium: LIN
Overall length: 216"
Overall width: 57"
Overall height: 85"
Length Freezing zone: 192"
Belt width: 14"

CES offers more Pre-Owned options on our website, you can view them by clicking [HERE](#).

CES Pre-Owned equipment is prepared and in working order. Minor modifications can be made, if you have questions about modifying an existing freezer feel free to contact us Sales@CESGROUP-US.com